

CANBEST
LED

WWW

CANBEST

LED

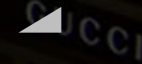
COM

FIS PLUS

INDOOR LED DISPLAY

FIS261 PLUS | FIS391 PLUS

Destinations	Monday, November 15th	Gate	140
ALBUQUERQUE	11:00 AM	101	140-101
ANCHORAGE	11:00 AM	104	140-104
ATLANTA	11:30 AM	102	140-102
BALTIMORE	11:30 AM	108	140-108
BIRMINGHAM	11:30 AM	109	140-109
BOSTON	11:30 AM	105	140-105
CHICAGO	11:30 AM	106	140-106
DALLAS	11:30 AM	107	140-107
DENVER	11:30 AM	103	140-103
DETROIT	11:30 AM	100	140-100
HONOLULU	11:30 AM	102	140-102
LOS ANGELES	11:30 AM	101	140-101
MEMPHIS	11:30 AM	104	140-104
MILWAUKEE	11:30 AM	105	140-105
MINNEAPOLIS	11:30 AM	106	140-106
MIAMI	11:30 AM	107	140-107
NEW YORK	11:30 AM	108	140-108
PHOENIX	11:30 AM	109	140-109
PORTLAND	11:30 AM	100	140-100
SAN ANTONIO	11:30 AM	101	140-101
SAN DIEGO	11:30 AM	102	140-102
SAN FRANCISCO	11:30 AM	103	140-103
SAN JOSE	11:30 AM	104	140-104
SEATTLE	11:30 AM	105	140-105
SFO	11:30 AM	106	140-106
SINGAPORE	11:30 AM	107	140-107
SUNNYVALE	11:30 AM	108	140-108
TAMPA	11:30 AM	109	140-109
TORONTO	11:30 AM	100	140-100
WASHINGTON	11:30 AM	101	140-101
WASH DC	11:30 AM	102	140-102
WICOMINGO	11:30 AM	103	140-103
WINDYBROOK	11:30 AM	104	140-104
WYOMING	11:30 AM	105	140-105



CANBEST LED



Magnetic Module
2x2



Connection Pin
Fast & Stable



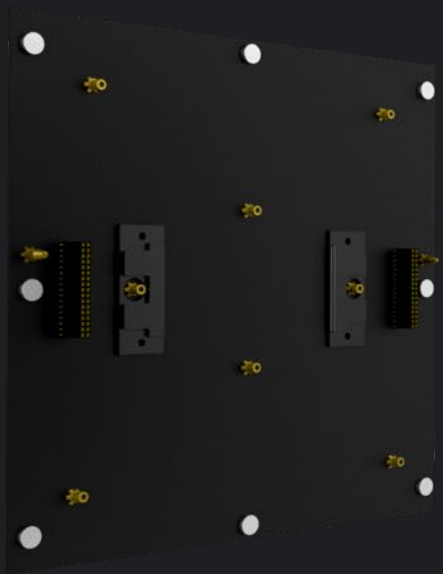
Double Interfaces
Easy to switch



Die-casting Aluminum
Thin & Light

CANBEST
LED

8 magnets
Stable & Reliable



Dual connectors
Double Guarantee



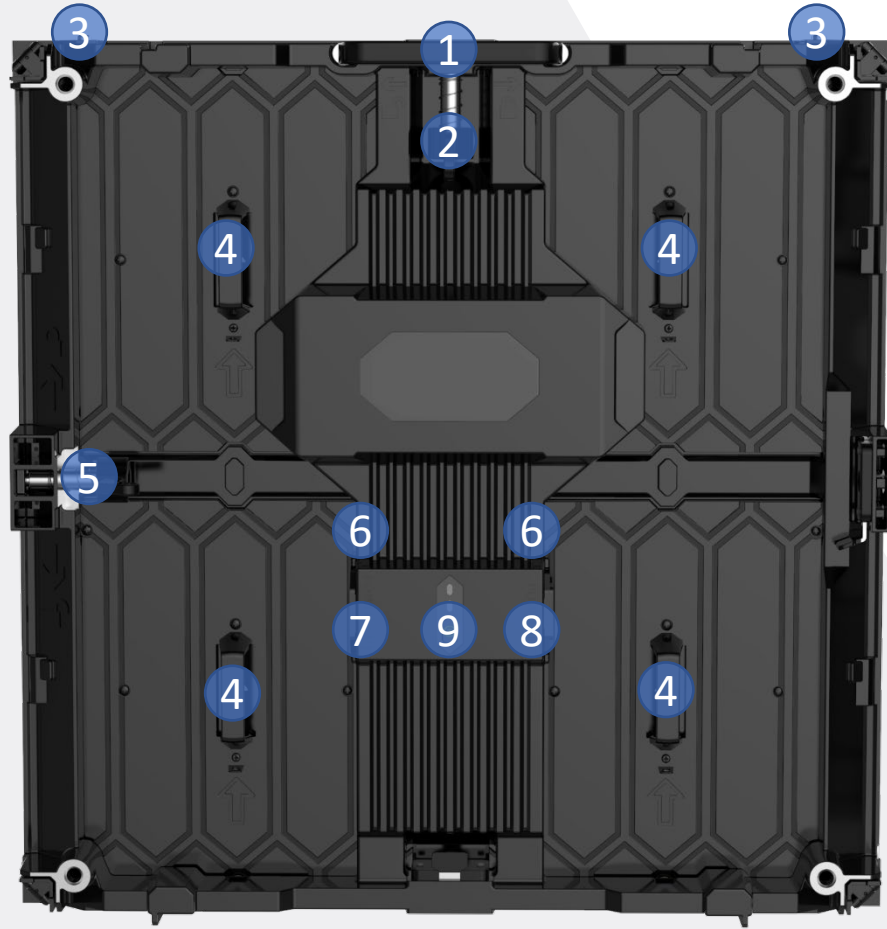
Plastic back cover
Simple & Light



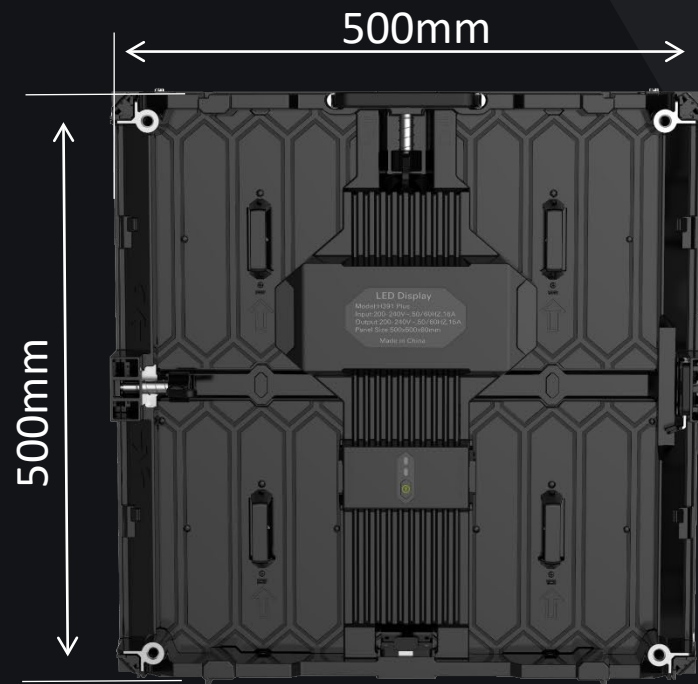
Dual interfaces
Easy & Fast

Safety rope (optional)
Prevent falling

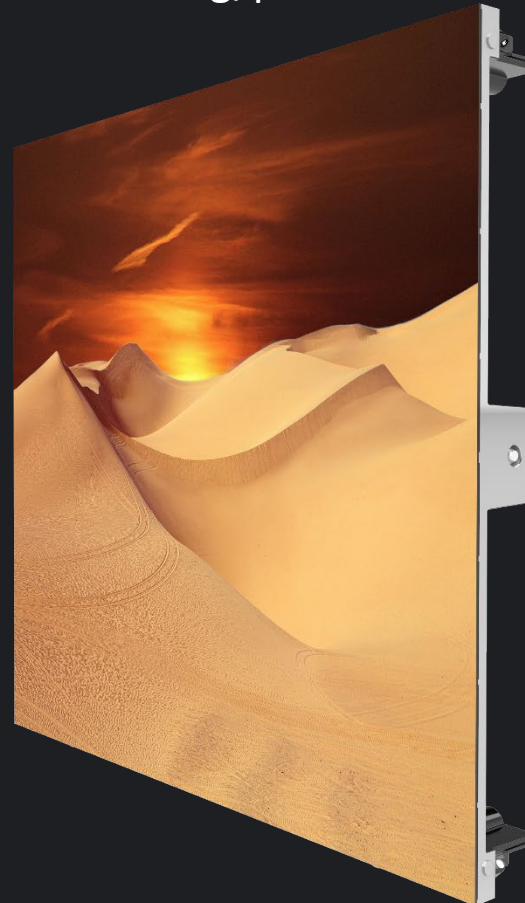
CANBEST LED



Larger, Thinner and Lighter

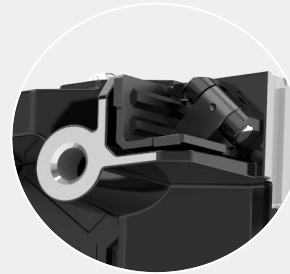


5.15kg/panel



Corners Protection Design (Optional)

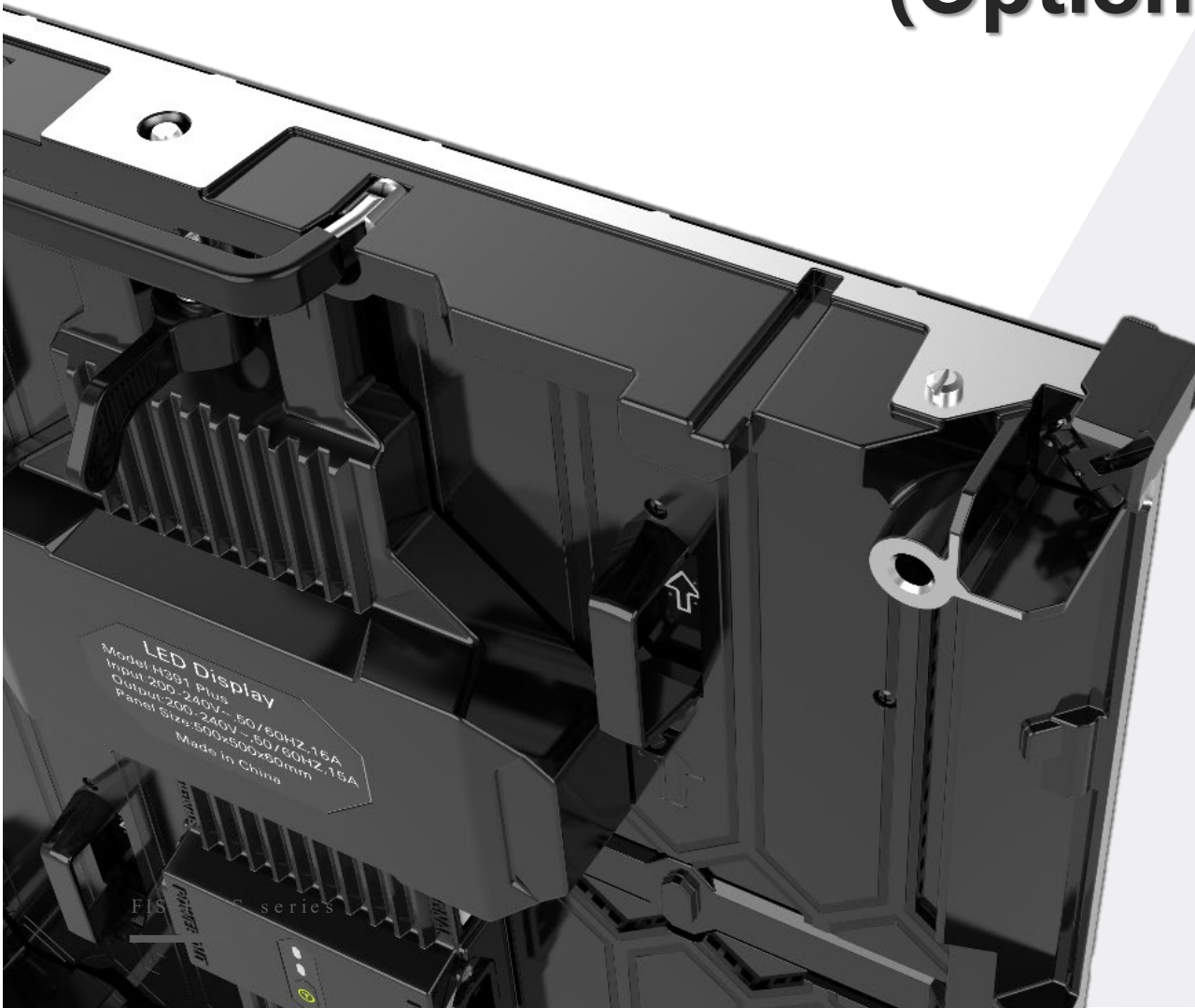
Safe and Reliable
Easy to open



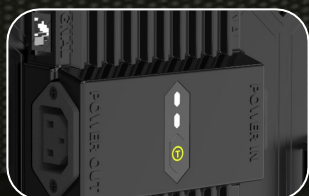
Turn it on



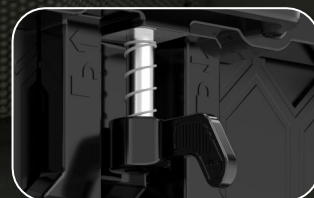
Turn it off



Focus on details for better user experience



Interface
annotation



Buckle operation
direction



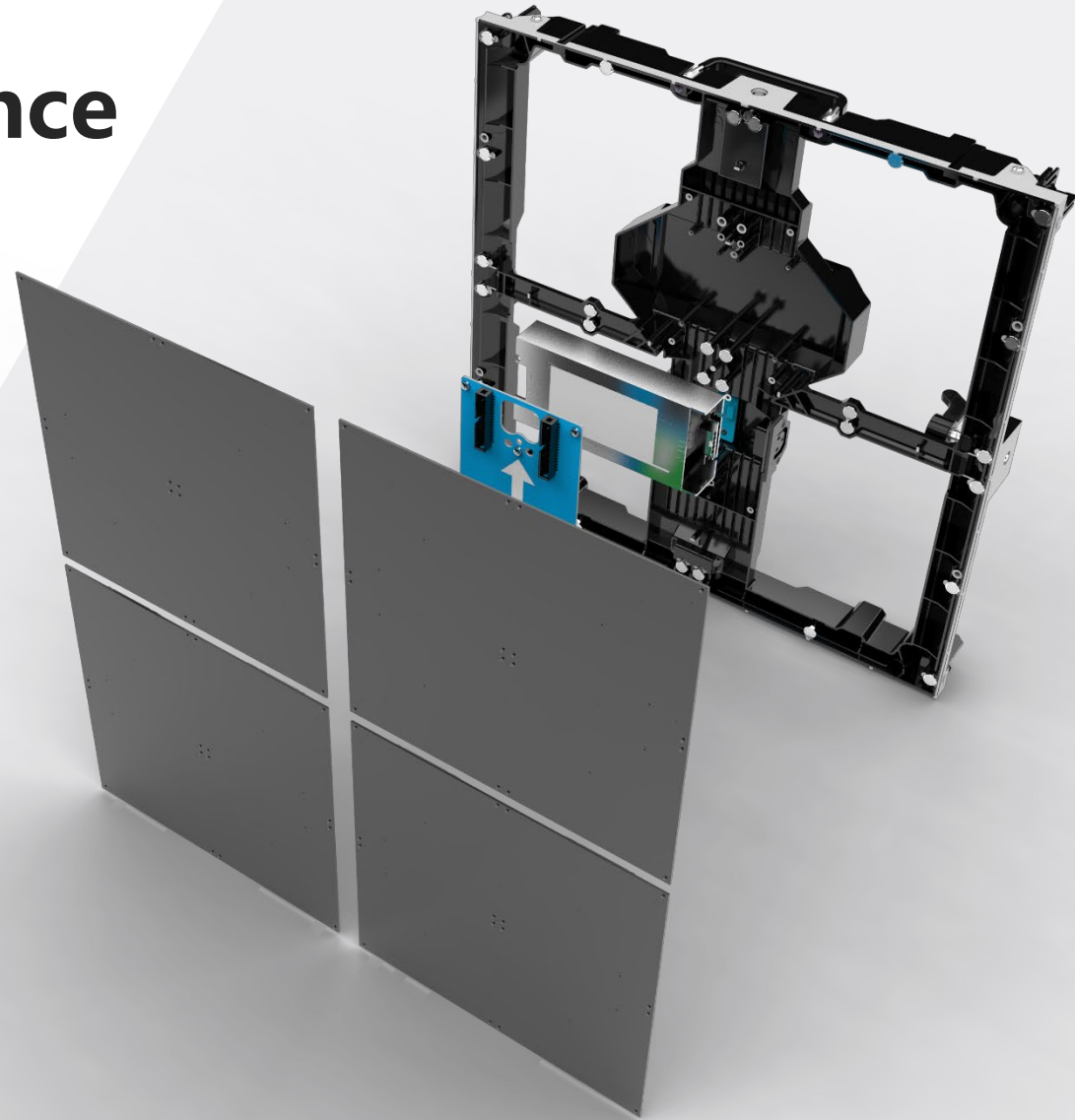
Customized
parameter
nameplate



Installation
direction

Full Front Maintenance

Module, HUB board and power supply can be taken out from the front



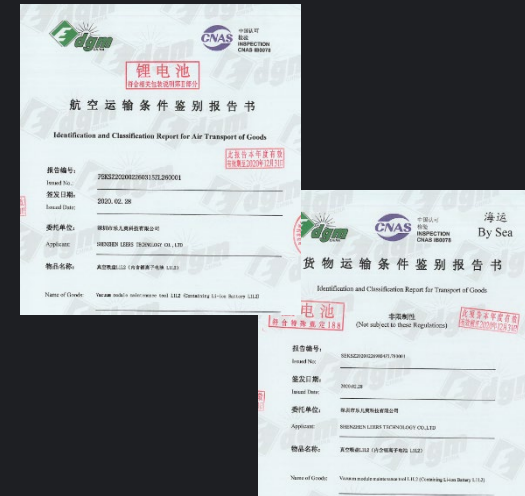
CANBEST
LED

Air Suction Front Maintenance Tool

Quick to dismantle
2 seconds

Innovative way
Air suction tool

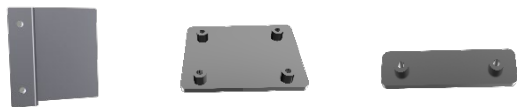
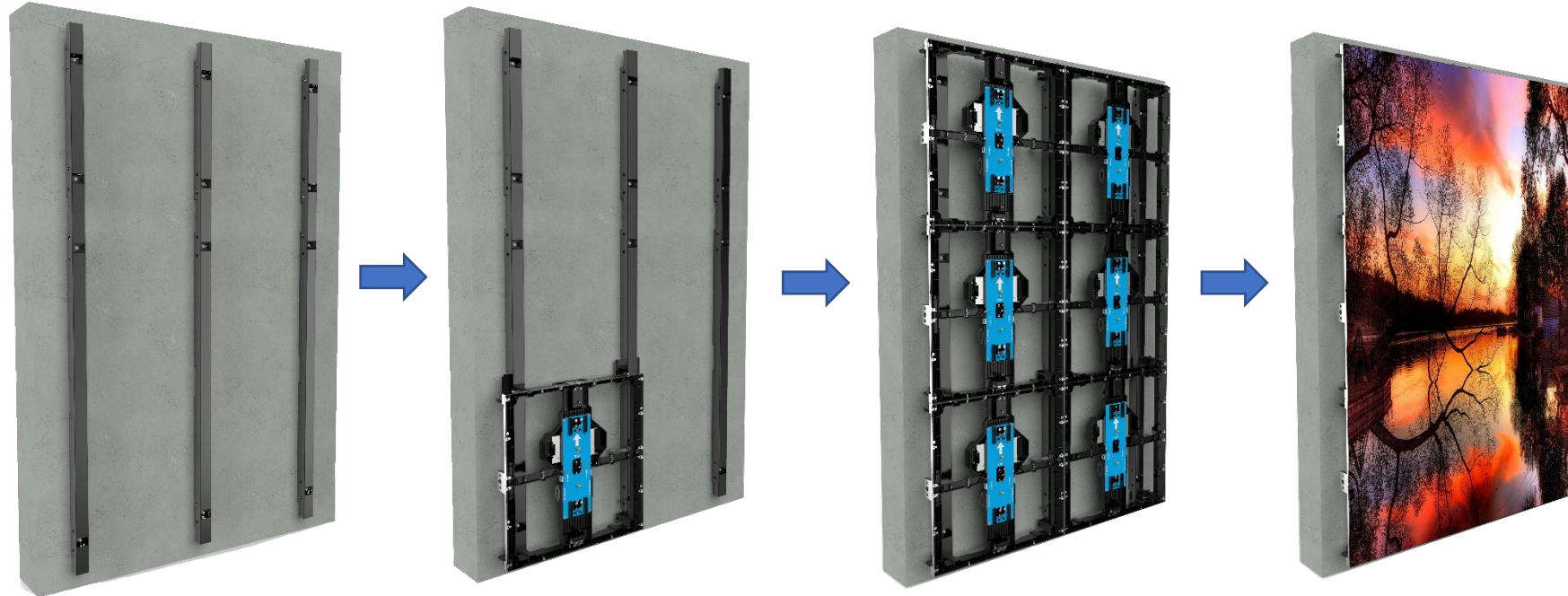
Stable & Reliable
Anti-bumping



Own certificates like CE and ROHS
Support air freight

Small Frontprint

Less than 10cm between the surface of the screen and the wall



Wall Mounting

Structural Bracket

+

Connecting Pieces

★ Please contact pre-sales department for the solutions.

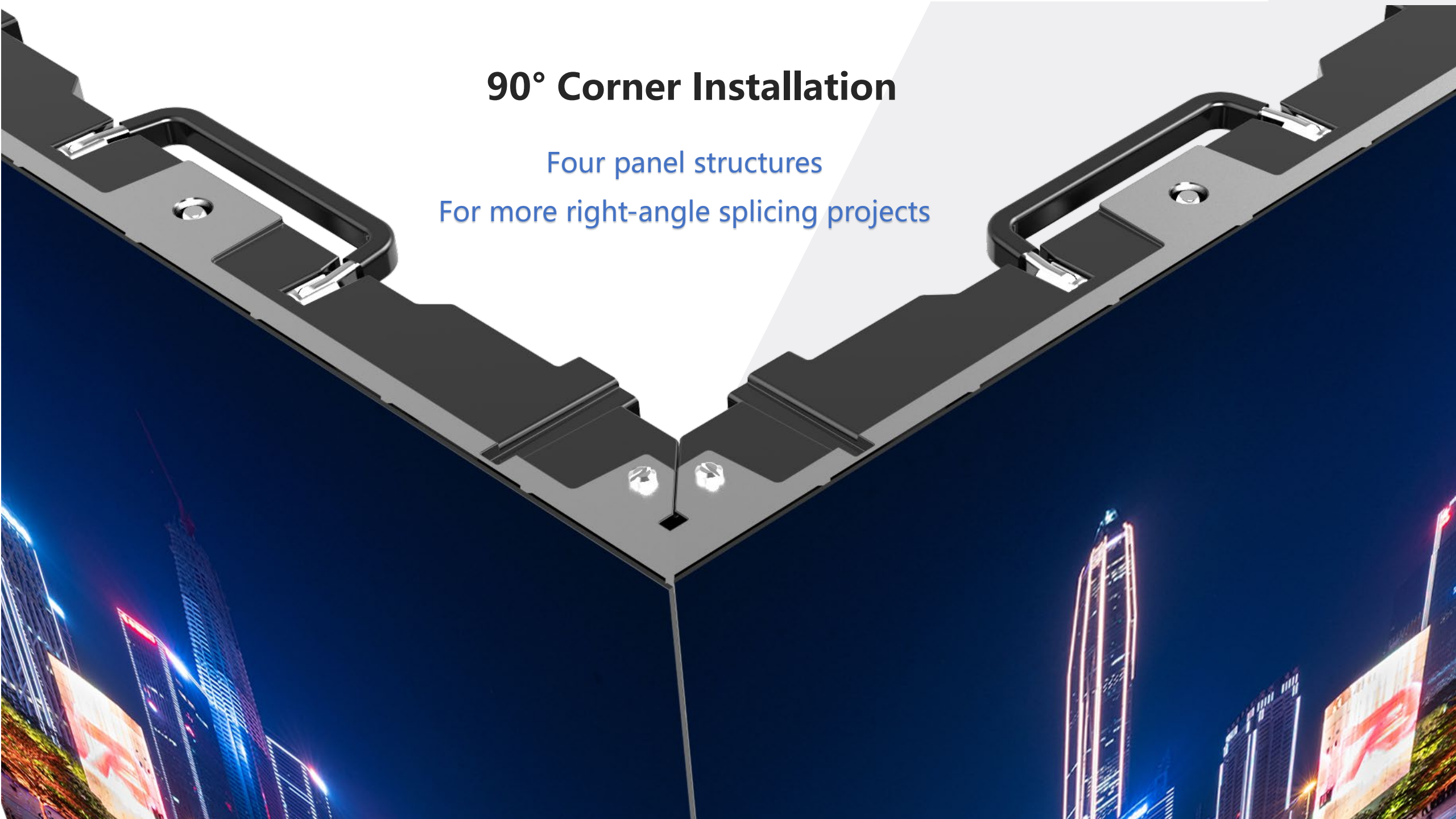
Bracket Standing

Whole Panel
+
Connecting pieces



90° Corner Installation

Four panel structures
For more right-angle splicing projects

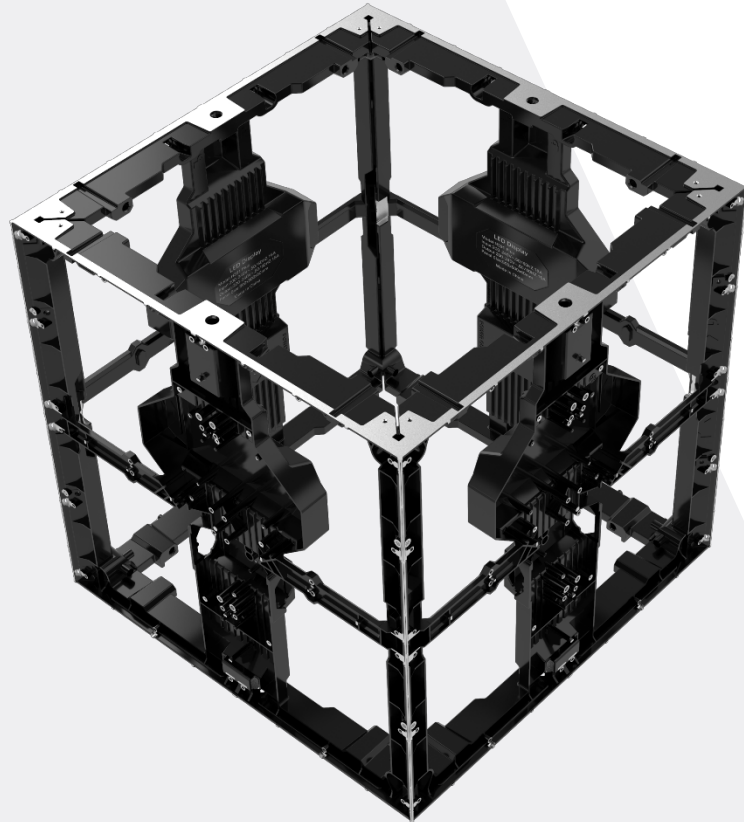


CANBEST
LED

Column Installation

Fixed and Rental LED Display

For more column design in stage, shopping mall,
enterprise, etc.



FIS PLUS series



Hanging

Hanging Beam
(purchased separately)

+

Buckle

+

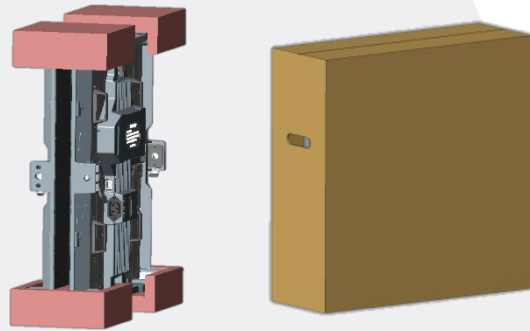
Connecting Piece

* Recommended
height is less than
10m.

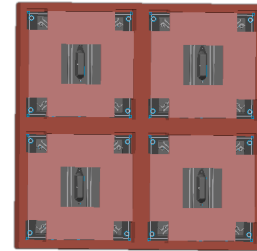


★ Please contact pre-sales department for the solutions.

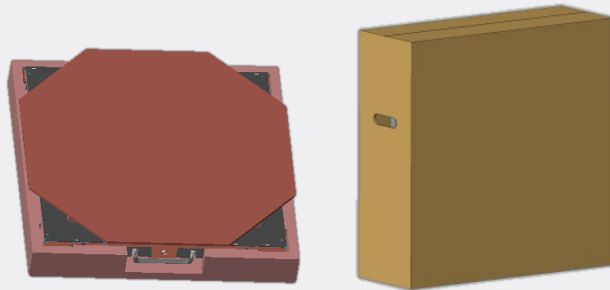
Front Installation: Panel and Module in different box



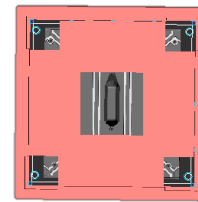
A box for 2 panels with EPE slots



A box for 8 modules with EPE slots



A box for whole panel with EPE slots



A box for 2 spare modules with EPE slots

Rear Installation: whole panel in one box

High Refresh Rate & High Grayscale

Lower Grayscale



Higher Grayscale



Grayscale: 14 Bit, Refresh Rate: $\geq 1920\text{HZ}$
Realize $\geq 3840\text{HZ}$ with PWM IC (Optional)

Lower Refresh Rate

Higher Refresh Rate





➤ Market Positioning:

Global Indoor Fixed and Rental LED Displays

➤ Application Scenario:

Indoor Advertising, Commercial Display, Monitoring Center, Exhibition, etc.

➤ Target Customer:

CANBEST LED

Parameter	FIS261 Plus	FIS391 Plus
Pixel Configuration	SMD2121	SMD2121
Pixel Pitch (mm)	2.6	3.9
Panel Resolution (dots)	192x192	128x128
Pixel Density (dots /m ²)	147456	65536
Module Size (L xW xH)/(mm)	250x250x14	
Panel Size (L xW xH)/(mm)	500x500x60	
Material	Die-casting Aluminum	
Module Number (WxH)	2*2	
Weight (kg/panel)	5.15	
Color Depth (Bit)	14	
Refresh Rate (Hz)	≥1920	
Brightness (nits)	1200	
Viewing Angle (H/V)	160/160	
AC Input Voltage (V)	AC110V/AC220V±10%	
AC Input Frequency (HZ)	60	
AC Input Power Max (W/m ²)	620	
AC Input Avg. (W/m ²)	220	
Storage Temperature (°C)	-15~+50	
Working Temperature (°C)	-10~+40	
Storage Humidity (RH)	10%~60%	
Working Humidity (RH)	10%~60%	
IP Rating	IP40/IP30	
Life Span (hrs)	≥100000	
Installation	Front & Rear Maintenance, 90° Corner Splicing, Hanging	
Maintenance	Full Front Maintenance	



THANK YOU

Address : Rm. D1, 1/F, No. 2 Energy And Environment Bldg., No. 11, Changchun Rd., High And New Tech Zone, Zhengzhou, Henan, China

E-mail: sales@canbest-led.com

Tel: +86-371-88887233